

# **USER MANUAL**

**A6 EVO II**



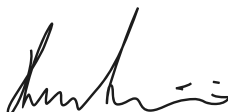
EN

DE

IT

*Thank you for purchasing one of our units  
and welcome into the Gold Note world,  
where we turn High-End audio and music  
into a new experience.*

Maurizio Aterini,  
founder of Gold Note

A handwritten signature in black ink, appearing to read 'Maurizio Aterini', written in a cursive style.

# IMPORTANT SAFETY INFORMATIONS

## PLEASE NOTE

- 1 Do not disassemble any part of the product.
- 2 Do not use any part of the product for other purposes.
- 3 For service and problems of any kind, contact qualified Gold Note personnel.
- 4 Protect the product from rain, humidity and keep away from heat sources, electric and electronic motors etc. The power cord supplied must be used only on this unit.
- 5 Gold Note does not have responsibility for any improper use of this unit.

## GENERIC INFORMATION

- | Read these instructions and store them.
- | Heed all warnings.
- | Follow the instructions.
- | Do not use this apparatus near water.
- | Clean only with a dry cloth.
- | Do not block the ventilation openings and install in accordance with the manufacturer's instructions.
- | Do not install near heat sources such as radiators, heat registers, stoves or other apparatus (including amplifiers) that produce heat.
- | Do not defeat the safety purpose of the polarised or grounding-type plug: a polarised plug has two blades with one wider than the other.
- | A grounding type plug has two blades and a third grounding prong. The wide blade or

the third prong are provided for your safety.

If the provided plug does not fit into your outlet, consult an electrician for replacement of the obsolete outlet. or pinched particularly at plugs, convenience receptacles, and the point where they exit from the apparatus.

- | Only use attachments/accessories specified by the manufacturer.
- | Use only with the cart, stand, tripod, bracket, or table specified by the manufacturer, or sold with the apparatus.

When a cart is used, use caution when moving the cart/apparatus combination to avoid injury from tip-over.

- | Unplug this apparatus during lightning storms or when unused for long periods of time. Refer all servicing to qualified service personnel only. Servicing is required when the apparatus has been damaged in any way (such as when the power cord or plug is damaged, liquid has been spilled or objects have fallen into the apparatus, the apparatus has been exposed to rain or moisture) and in any case when the apparatus does not operate normally or has been dropped.

This appliance has a serial number located on the rear panel.  
Please record the model and serial number and retain them for your records.

## MODEL

## SERIAL NUMBER



### CAUTION!

To reduce the risk of electric shock, do not remove cover (or back). No user-serviceable parts inside. Refer only to qualified Gold Note service personnel for service.



### WARNING!

To prevent fire or shock hazard, do not expose this appliance to rain or moisture.



### **GOLD NOTE - Information on the correct management of waste from household Equipment pursuant to the European Directive 2012/19/EU**

The crossed-out wheeled bin symbol shown on the equipment or its packaging indicates that the product, at the end of its useful life, must be collected separately from other waste to allow its proper treatment and recycling. The user must therefore deliver, free of charge, the end-of-life equipment to the centres for the separate collection of waste electrical and electronic equipment, or return it to the dealer in accordance with the procedures established by the legislation.

The appropriate separate collection of discarded equipment allows for proper recycling, treatment and environmentally compatible disposal, helping to avoid the possible dispersion of hazardous substances and negative effects on the environment and health, favouring the reuse and/or recycling of the materials of which the equipment is composed of. Illegal dumping of the product by the user involves the application of administrative sanction provided for by the legislation in force. We invite you consult the current legislation and the measures adopted by the public service operating in your country or territory.



# | INDEX

INTRODUCTION AND FEATURES	1
TECHNICAL SPECIFICATIONS	2
ASSEMBLING THE STAND	3
CONNECTING THE LOUDSPEAKERS	4
POSITIONING THE LOUDSPEAKERS	5
LOUDSPEAKERS SETUP	7
PRODUCT REGISTRATION	8
TROUBLESHOOTING	9
RELATED PRODUCTS	10

EN

DE

IT

# | PACKAGE CONTENT

2x

A6 EVO II

2x

LOUDSPEAKER  
GRILLES

1x

USER  
MANUAL

1x

ALLEN KEY

12x

M4x25mm  
SCREWS  
with washers

8x

SPIKE FEET

8x

SPIKE PADS

# | INTRODUCTION AND FEATURES

The A6 EVO II is a three-way floor-standing loudspeaker with rear bass reflex design featuring a 6" internal sub-woofer, 2 x 5.5" mid-woofers and a 1.1" dome tweeter in silk. This compact but extremely powerful loudspeaker provides a naturally smooth sound, complemented by the distinctive beauty of the unique diamond design.

From the cabinet to the drivers, this loudspeaker is entirely made in Italy by local suppliers and craftsmen to deliver the highest quality in terms of sound, design and materials. The crossover is developed with audio-grade components to match the unique characteristics of the drivers and deliver exceptionally powerful responses across the entire frequency spectrum, achieving a most natural and dynamic sound.

The drivers are supported by extra-rigid flanges in aluminum and the silk dome ensures ultra-clean high frequencies with a noteworthy extension thanks to its powerful magnet. A premium material such as aluminium is used to support the drivers and for the rear reflex ports.

To provide an exceptionally fast transient response and retain its natural sound quality, the two mid-bass drivers have a 12dB/Octave set up at 2000Hz/70Hz range. An internal 6" subwoofer is located in a dedicated sealed chamber in the lower part of the cabinet, featuring a dedicated crossover network and bass reflex port facing downwards for perfect control over the lower frequencies down to 40Hz. The custom 1" silk dome tweeter is fine-tuned to match the cabinet shape and size, delivering crystal clear high frequencies.

To increase the rigidity of the structure, the cabinet is made of hardened HDF and reinforced with beautiful side panels featuring our exclusive diamond design. Luxurious finishes are used for the cabinet and the side panels, a statement of true Italian craftsmanship. The A6 EVO II combines elegance, performance and audio pleasure in unconventional ways to satisfy even the most demanding audiophiles.



# TECHNICAL SPECIFICATIONS

EN

DE

IT

## MAIN FEATURES

- | 3-way design with rear bass reflex port
- | Frequency response:  
40-20000Hz  $\pm$ 3dB
- | Sensitivity:  
88dB SPL 2,83V/1m
- | Nominal Impedance:  
4 $\Omega$
- | Tweeter:  
1.1" dome driver
- | Mid-woofer:  
5,5" cone driver
- | Sub-woofer:  
6" internal cone driver
- | Suggested power amplifier:  
min. 20W
- | Max power handling:  
150W RMS
- | Crossover:  
70Hz and 2000Hz @ 12dB/Oct.
- | Connectors:  
Gold Note gold plated nickel-free

## KEY FEATURES

- | 6" cone sub-woofer
- | 2x 5.5" cone mid-woofer
- | 1.1" silk dome tweeter
- | 2x aluminium rear bass reflex ports

## DIMENSIONS AND WEIGHT

Dimensions:  
230mm W x 1080mm H x 285mm D  
Stand: 288mm W | 44mm H | 441mm D

Weight:  
Kg. 60/pr. net  
Kg. 80/pr. boxed

# | ASSEMBLING THE STAND

## STEP 1

Carefully place the loudspeaker upside down or alternatively lay it horizontally on a table to assemble the stand, covering the supporting surface with a soft cloth to avoid scratches and other damages to the cabinet. To lift the loudspeaker, you can use the bass reflex port as a lifting point but pay attention to avoid damaging the drivers.

## STEP 2

Insert the spike feet into the 4 holes on the base as shown in the picture below and tighten them firmly to lock them in place.

## STEP 3

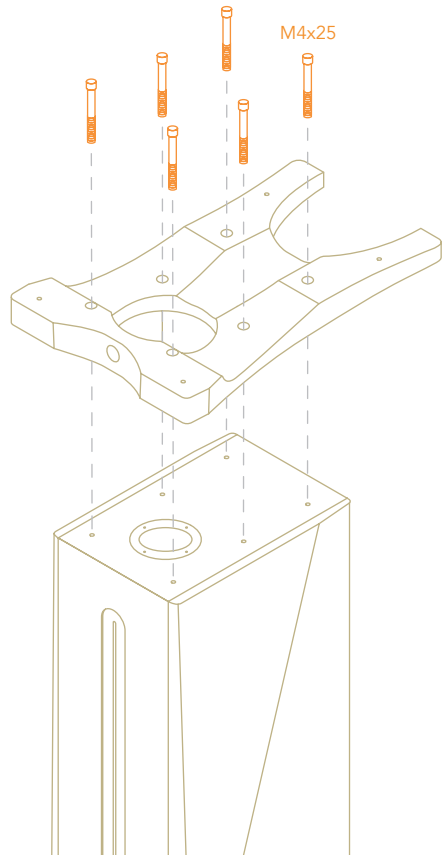
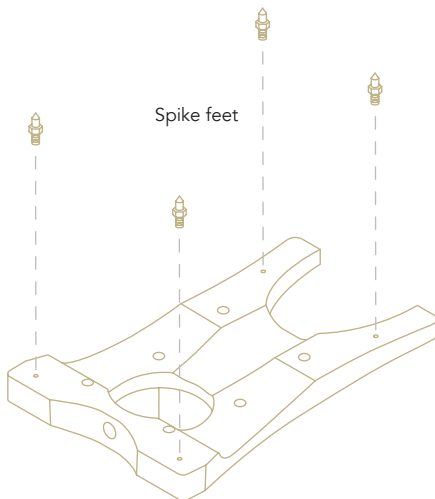
Insert the M4x25 screws into the 6 holes on the base and firmly tighten them to join the base.

## STEP 4

Turn the loudspeaker upside down to place the base on the ground ensuring the spike feet sit on the spike pads to prevent damages to the floor.

## IMPORTANT

Please pay attention to the screws and ensure you are using the correct type for each step.



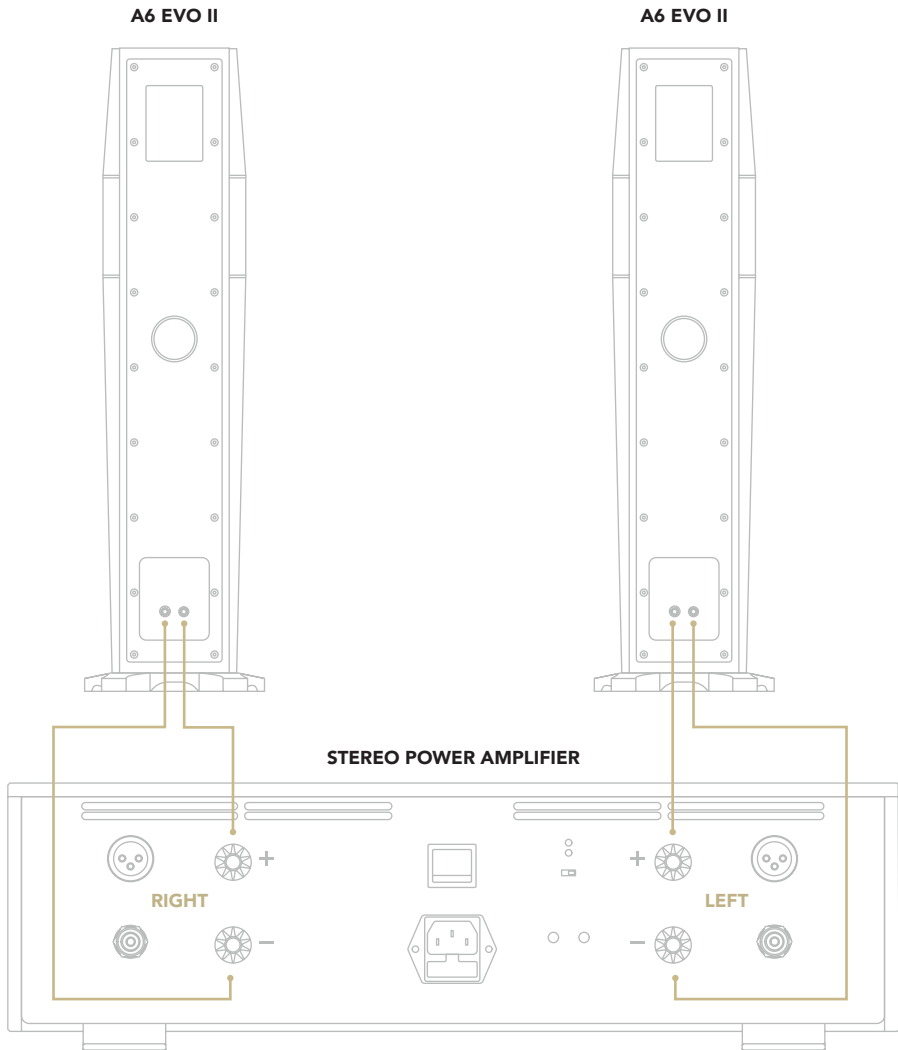
# CONNECTING THE LOUDSPEAKERS

EN

DE

IT

## EXAMPLE CONNECTION



# POSITIONING THE LOUDSPEAKERS

The dimensions of your listening room don't have as much of an effect on the audio quality as the position of the loudspeakers so we recommend placing them carefully. The better the positioning, the better the focus and the sound stage will be.

Managing reflective surfaces is a key factor to get the best out of your loudspeakers, especially because the sound waves carry enough energy to bounce off surfaces twice, affecting the sound performance of the system greatly.

Depending on the size of the room and the materials, the first reflection can create a 25m/s delay disturbing the sound. Reflections creating delays between 40 and 80m/s are less important as they contribute to creating the so-called ambience. Therefore it is very important to mitigate reflections resulting in 25m/s delays.

We recommend placing the loudspeakers as far as possible from the sidewalls and covering the floor in front of them with carpets if possible. Ensuring the loudspeakers are located at the same distance from the walls to the sides as the one at the back (symmetrical layout) can be highly beneficial.

## WALL MATERIAL

Thick walls provide good control over the bass extension as well as acoustic insulation. Dry and thin walls can vibrate, therefore they are usually to be avoided or treated accordingly.

## CEILING

High ceilings tend to offer better results, with an ideal constant height of 2,50m to 3,60m. Vaulted ceilings can be difficult to deal with as they act as a magnifier lens for specific frequencies.

If the ceiling is not flat but at an angle, we recommend to position the loudspeakers closer to the side where the ceiling is lower while the listening point should be where the ceiling is higher.

## FLOOR

Marble and hard-stone floors are difficult to manage due to the reflections they create. Carpeted floors can also prove difficult because of how they absorb the sound waves. Wooden floors tend to perform well in most cases.

In any case, floors can be easily treated with a 2/4cm thick carpet placed in front of the loudspeakers.

## SIDE WALLS

You should avoid naked side walls around the system as well as hanging carpets. Hanging objects, such as framed pictures and paintings, are usually okay if they come without glass protections and are located symmetrically on both sides of the loudspeakers. Treating the walls with wall sound traps and diffusers tends to give the best results.

## REAR WALL

The rear wall is generally to be treated as the sidewalls, taking measures to facilitate sound diffraction using sound traps or diffusers (such as bookshelves, bookcases and record racks).

## OPPOSITE WALL

If your listening room is small in size and the system is too close to the opposite wall, it's worth considering treating the wall with thick curtains or other diffusers.

## WINDOWS AND DOORS

Windows and doors will most likely produce vibrations when the music is playing. It's best to avoid rooms with windows, doors and other glass surfaces in corners or at the center of the side walls. If that's not possible, treatment should be applied to prevent overwhelming reflections. If using curtains, it's recommended to opt for lighter materials to allow some of the sound waves to travel through it and bounce off the surface.

## FURNITURE

Avoid furniture with a large quantity of glass and/or doors and drawers. Open shelf furniture usually works quite well. If possible, avoid placing racks and flat surfaces between the loudspeakers and the listening point as they might reflect heavily the high and mid-frequencies.

## AUDIO RACKS

Audio racks are greatly influenced by their design and the material used so, depending on these factors, it might be best to place them between the speakers or to the side of the system. The Gold Note Galileo rack features a special curved design to effectively diffracting the sound waves and can therefore be placed between the loudspeakers.

## SUBWOOFER

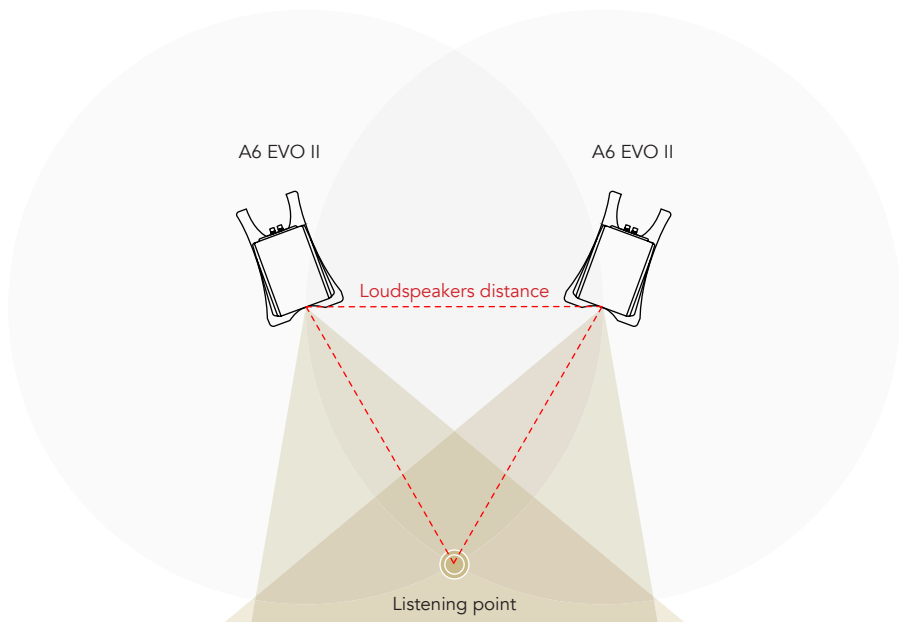
Subwoofers generate sound waves that behave similarly to the waves created by the loudspeakers so they should be placed keeping in mind the principles listed here.

# | LOUDSPEAKERS SETUP

If possible, try to follow these rules to place the loudspeakers in their initial setup. From here, you can then perform listening tests to fine-tune the position of each loudspeaker and improve the focus and soundstage perceived from the listening point.

The distance between the loudspeakers and the listening point should be approximately the same as shown in the picture below. In the same way, the distance between each loudspeaker and the closer sidewall should be approximately the same as the distance between them and the back wall.

If this is not possible, then it's crucially important to adjust the position and angle of the loudspeaker to find the preferred balance between a wide soundstage and focussed sharp details.



# | PRODUCT REGISTRATION

EN

DE

IT

## PRODUCT REGISTRATION

We recommend to register the unit on our internet website within 15 days from the purchase at [www.goldnote.it/product-registration](http://www.goldnote.it/product-registration)

If the unit is not registered correctly or has been purchased from a different country of the purchaser home address the unit will not be covered by any warranty and the registration will be refused.

Please note that the warranty does not cover in any case: Tubes, Phono Cartridge Stylus and Batteries.



[www.goldnote.it/product-registration](http://www.goldnote.it/product-registration)

## WARRANTY

All Gold Note products come with a warranty against defective materials and workmanship.

Any service and inspection must be carried out by a Gold Note dealer or distributor so in case you need any assistance with this product, please contact the seller.

## PLEASE NOTE

Descriptions and technical characteristics may vary at any time and without notice.

## WARNING

Gold Note products should only be opened, serviced and inspected by certified Gold Note technicians and dealers. Work performed by unqualified personnel may cause serious damage or personal injury. Opening of the product by non-authorized personnel will void the guarantee.

In this case, contact your dealer to be advised on how the fault can be solved.

Do not return any object directly to the factory or to the distributor without being authorised to do so.

# | TROUBLESHOOTING

PROBLEM	CAUSE	SOLUTION
The loudspeakers make a humming noise.	The loudspeakers are not correctly grounded.	Check that the system and the rest of the room is grounded correctly.
	The interconnect input and/or output cables are not shielded.	Always use shielded cables.
The music is out of phase.	The speaker terminals (negative/positive poles) are inverted on the amp or on the speaker.	Switch completely off the amplifier, then connect the speaker cables correctly.
One or more drivers are not working.	The bridges are not well connected to the speaker terminals (binding posts).	Check that the bridges are well connected.
	The speaker cables are not well connected to the speaker.	Check that the cables are well connected.
	The amplifier or the sources are not working correctly.	Check that all the components of the system are working and correctly wired.

## CLEANING THE UNIT

With EXTREME care use ONLY water or detergents for delicate surfaces with a very soft cloth to sweep dust and remove stains. Any acid or not extremely soft cloth will irreversibly damage the unit. Do not use alcohol.



# | RELATED PRODUCTS

EN

DE

IT

## INTEGRATED AMPLIFIER

### | IS-1000

Class-A/B streaming integrated amplifier delivering 125Watt @ 8Ω per ch. with High-Current Mosfet technology. Features UPnP streamer, BurrBrown PCM1796 DAC, MM/MC phono stage.

## POWER AMPLIFIER

### | PA-1175 MKII

Class-A/B power amplifier with variable Damping Factor technology for a perfect match with all types of loudspeakers.

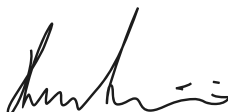


Discover more on our website  
[www.goldnote.it](http://www.goldnote.it)



*Vielen Dank, dass Sie sich für eines unserer  
Geräte entschieden haben und herzlich  
Willkommen in der Welt von Gold Note, wo  
wir High-End Audio und Musik in eine neue  
Erfahrung verwandeln.*

Maurizio Aterini,  
Gründer von Gold Note



# WICHTIGE SICHERHEITSHINWEISE

## BITTE BEACHTEN

- 1 Nehmen Sie das Gerät nicht auseinander.
- 2 Verwenden Sie das Gerät oder Teile davon nicht für einen anderen als den vorgesehenen Zweck.
- 3 Für Reparaturen und Probleme jeglicher Art wenden Sie sich bitte an den Gold Note Fachhändler.
- 4 Schützen Sie das Produkt vor Nässe und Feuchtigkeit und halten Sie es fern von Wärmequellen, elektrischen und elektronischen Motoren, usw. Das mitgelieferte Netzkabel darf nur an diesem Gerät verwendet werden.
- 5 Gold Note übernimmt keine Verantwortung für Schäden durch unsachgemäße Handhabung.

## ALLGEMEINE HINWEISE

- | Lesen und verwahren Sie diese Anleitung.
- | Beachten Sie alle Warnungen.
- | Befolgen Sie alle Anweisungen.
- | Verwenden Sie dieses Gerät nicht in der Nähe von Wasser.
- | Reinigen Sie das Gerät nur mit einem trockenen Tuch.
- | Blockieren Sie keine Lüftungsöffnungen. Installieren Sie das Gerät gemäß den Anweisungen des Herstellers.
- | Installieren Sie das Gerät nicht in der Nähe von Wärmequellen wie Heizkörpern, Heizregistern, Öfen oder anderen Geräten (einschließlich Verstärkern), die Wärme erzeugen.

| Die Sicherheitsfunktion des gepolten oder geerdeten Steckers darf nicht beeinträchtigt werden. Ein polarisierter Stecker hat zwei Blätter, von denen einer breiter als der andere ist. Ein geerdeter Stecker hat zwei Klingen und einen dritten Erdungsstift. Die breite Klinge oder der dritte Zinken dienen Ihrer Sicherheit. Wenn der mitgelieferte Stecker nicht in Ihre Steckdose passt, wenden Sie sich an einen Elektriker, um die veraltete Steckdose auszutauschen.

| Schützen Sie das Netzkabel vor unbefugtem Betreten oder Quetschungen, insbesondere an Steckern, Steckdosen und an der Stelle, an der sie aus dem Gerät austreten.

| Verwenden Sie nur die vom Hersteller angegebenen Anbaugeräte/Zubehörteile.

| Verwenden Sie das Gerät nur mit dem vom Hersteller angegebenen oder mit dem Gerät verkauften Wagen, Ständer, Stativ, Halter oder Tisch. Wenn ein Wagen benutzt wird, seien Sie vorsichtig, wenn Sie die Kombination Wagen/Gerät bewegen, um Verletzungen durch Umkippen zu vermeiden.

| Das Gerät soll bei Gewitter oder längerer Nichtbenutzung vom Netz getrennt werden.

| Die Wartungsarbeiten und Reparaturen nur von qualifizierten Fachpersonal des Kundendienst ausführen lassen. Das Gerät zum Kundendienst bringen, wenn es Regen oder Feuchtigkeit ausgesetzt war, wenn Flüssigkeit oder Fremdkörper hineingelangt sind, wenn es heruntergefallen ist oder nicht normal funktioniert, oder wenn das Netzkabel beschädigt ist.

Dieses Gerät hat eine Seriennummer auf der Rückseite.  
Bitte notieren Sie sich die Modell- und Seriennummer und bewahren Sie diese für Ihre Unterlagen auf.

MODELL

SERIENNUMMER

EN

DE

IT

# ELEKTRO- UND ELEKTRONIKGERÄTE INFORMATIONEN FÜR PRIVATE HAUSHALTE

Das Elektro- und Elektronikgerätegesetz (ElektroG) enthält eine Vielzahl von Anforderungen an den Umgang mit Elektro- und Elektronikgeräten. Die wichtigsten sind hier zusammengestellt.

## 1 GETRENNTE ERFASSUNG VON ALTGERÄTEN

Elektro- und Elektronikgeräte, die zu Abfall geworden sind, werden als Altgeräte bezeichnet. Besitzer von Altgeräten haben diese einer vom unsortierten Siedlungsabfall getrennten Erfassung zuzuführen. Altgeräte gehören insbesondere nicht in den Hausmüll, sondern in spezielle Sammel- und Rückgabesysteme.

## 2 BATTERIEN UND AKKUS SOWIE LAMPEN

Besitzer von Altgeräten haben Altbatterien und Akkumulatoren, die nicht vom Altgerät umschlossen sind, sowie Lampen, die zerstörungsfrei aus dem Altgerät entnommen werden können, im Regelfall vor der Abgabe an einer Erfassungsstelle vom Altgerät zu trennen. Dies gilt nicht, soweit Altgeräte einer Vorbereitung zur Wiederverwendung unter Beteiligung eines öffentlich-rechtlichen Entsorgungsträgers zugeführt werden.

## 3 MÖGLICHKEITEN DER RÜCKGABE VON ALTGERÄTEN

Besitzer von Altgeräten aus privaten Haushalten können diese bei den Sammelstellen der öffentlich-rechtlichen Entsorgungsträger oder bei den von Herstellern oder Vertriebern im Sinne des ElektroG eingerichteten Rücknahmestellen unentgeltlich abgeben.

Rücknahmepflichtig sind Geschäfte mit einer Verkaufsfläche von mindestens 400 m<sup>2</sup> für Elektro- und Elektronikgeräte sowie diejenigen Lebensmittelgeschäfte mit einer Gesamtverkaufsfläche von mindestens 800 m<sup>2</sup>, die mehrmals pro Jahr oder dauerhaft Elektro- und Elektronikgeräte anbieten und auf dem Markt bereitstellen. Dies gilt auch bei Vertrieb unter Verwendung von Fernkommunikationsmitteln, wenn die Lager- und Versandflächen für Elektro- und Elektronikgeräte mindestens 400 m<sup>2</sup> betragen oder die gesamten Lager- und Versandflächen mindestens 800 m<sup>2</sup> betragen. Verreiberhabendie-Rücknahmegrundsätzlich durch geeignete Rückgabemöglichkeiten in zumutbarer Entfernung zum jeweiligen Endnutzer zu gewährleisten.

Die Möglichkeit der unentgeltlichen Rückgabe eines Altgerätes besteht bei rücknahmepflichtigen Vertriebern unter anderem dann, wenn ein neues gleichartiges

Gerät, das im Wesentlichen die gleichen Funktionen erfüllt, an einen Endnutzer abgegeben wird. Wenn ein neues Gerät an einen privaten Haushalt ausgeliefert wird, kann das gleichartige Altgerät auch dort zur unentgeltlichen Abholung übergeben werden; dies gilt bei einem Vertrieb unter Verwendung von Fernkommunikationsmitteln für Geräte der Kategorien 1, 2 oder 4 gemäß § 2 Abs. 1 ElektroG, nämlich „Wärmeüberträger“, „Bildschirmgeräte“ oder „Großgeräte“ (letztere mit mindestens einer äußeren Abmessung über 50 Zentimeter). Zu einer entsprechenden Rückgabe-Absicht werden Endnutzer beim Abschluss eines Kaufvertrages befragt. Außerdem besteht die Möglichkeit der unentgeltlichen Rückgabe bei Sammelstellen der Vertreter unabhängig vom Kauf eines neuen Gerätes für solche Altgeräte, die in keiner äußeren Abmessung größer als 25 Zentimeter sind, und zwar beschränkt auf drei Altgeräte pro Gerätart.

## 1 DATENSCHUTZ-HINWEIS

Altgeräte enthalten häufig sensible personenbezogene Daten. Dies gilt insbesondere für Geräte der Informations- und Telekommunikationstechnik wie Computer und Smartphones. Bitte beachten Sie in Ihrem eigenen Interesse, dass für die Löschung der Daten auf den zu entsorgenden Altgeräten jeder Endnutzer selbst verantwortlich ist.

## 2 BEDEUTUNG DES SYMBOLS „DURCHGESTRICHENE MÜLLTONNE“



Das auf Elektro- und Elektronikgeräten regelmäßig abgebildete Symbol einer durchgestrichenen Mülltonne weist darauf hin, dass das jeweilige Gerät am Ende seiner Lebensdauer getrennt vom unsortierten Siedlungsabfall zu erfassen ist.

Hersteller-Informationen gemäß § 18 Abs. 4 ElektroG (neu)



### VORSICHT!

Um die Gefahr eines Stromschlags zu verringern, entfernen Sie nicht die Abdeckung (oder die Rückseite). Keine vom Benutzer zu wartenden Teile im Inneren befindlich. Für die Wartung wenden Sie sich ausschließlich an qualifiziertes Gold Note Servicepersonal.



### WARNUNG!

Um Feuergefahr oder das Risiko elektrischer Schläge zu vermeiden, darf das Gerät nicht der Nässe oder Feuchtigkeit ausgesetzt werden.

# | INHALT

EINLEITUNG UND SCHLÜSSELMERKMALE	17
TECHNISCHE ANGABEN	18
MONTAGE DES STÄNDERS	19
ANSCHLUSS DER LAUTSPRECHER	20
PLATZIERUNG DER LAUTSPRECHER	21
LAUTSPRECHERAUFSTELLUNG	23
PRODUKTREGISTRIERUNG	24
FEHLERBEHEBUNG	25
VERWANDTE PRODUKTE	26

EN

DE

IT

# | PACKUNGSGEHALT

2x

A6 EVO II

2x

LAUTSPRECHER-  
ABDECKUNGEN

1x

BEDIENUNGSANLEITUNG

1x

INBUSSCHLÜSSEL

8x

SPIKES

8x

SPIKE-UNTERLAGEN

12x

M4x25mm SCHRAUBEN  
Unterlegscheiben

# EINLEITUNG UND SCHLÜSSELMERKMALE

Der A6 EVO II ist ein Drei-Wege Standlautsprecher mit rückwärtigem Bassreflexdesign und ist mit einem internen 6-Zoll Tieftöner, zwei 5,5-Zoll Tiefmitteltönern sowie einem 1,1-Zoll Hochtöner mit Seidenkalotte ausgestattet. Diese kompakte aber sehr leistungsfähige Standbox ist auf einen gleichmäßigen und natürlichen Klangcharakter ausgelegt und wirkt durch die Gestaltung seines schönen facettierten Gehäuses charakteristisch.

Vom Gehäuse bis zu den Treibern wird dieser Lautsprecher komplett in Italien von lokalen Zulieferern und Handwerkern hergestellt, um Ihnen die höchste Qualität in Bezug auf Klang, Design und Materialien zu bieten. Die Frequenzweiche wurde mit audio-grade Komponenten entwickelt, um den einzigartigen Eigenschaften der Treiber zu entsprechen und eine außergewöhnlich kraftvolle Impulsantwort über den gesamten Frequenzbereich hinweg zu erreichen, sodass ein besonders natürlicher und dynamischer Klang entsteht.

Die Treiber werden von extra-steifen Aluminiumhörnern gestützt und der Seidenkalotten-Hochtöner gewährt dank seines kraftvollen Magnets kristallklare Höhen mit einem bemerkenswerten Umfang. Zur Unterstützung der Treiber und für die rückwärtige Reflexöffnung wurden Premiummaterialien wie Aluminium verwendet.

Um ein außergewöhnlich schnelles Einschwingverhalten zu liefern und die natürliche Musikwiedergabe zu erhalten, werden die Treiber mit 12db/Oct. bei 70 und 2000 Hz gefiltert. Der interne 6-Zoll Subwoofer ist in einer separaten Abteilung unten eingebaut und hat seine eigene angepasste Frequenzweiche sowie eine nach unten gerichtete Bassreflexöffnung, um perfekte Niederfrequenzen bis zu 40Hz zu garantieren.

Das Gehäuse ist aus gehärtetem HDF gefertigt hat facettiert geschliffene Seitenteile mit Aluminium-Einsätzen für eine starke und starre Struktur. Die luxuriöse Oberflächenverarbeitung des Gehäuses und der Seitenteile machen den Lautsprecher zu einem wahrhaftigen Beispiel italienischer Kunstfertigkeit. Der A6 EVO II kombiniert Eleganz, Performance und Hörvergnügen auf unkonventionelle Weise, um sogar die anspruchsvollsten Audiophilen auf seine Seite zu ziehen.



# | TECHNISCHE ANGABEN

EN

DE

IT

## HAUPTMERKMALE

- | Drei-Wege-Design mit rückwärtiger Bassreflexöffnung
- | Frequenzgang:  
40-20000Hz  $\pm$ 3dB
- | Wirkungsgrad:  
88dB SPL 2,83V/1m
- | Nennimpedanz:  
4 $\Omega$
- | Hochtöner:  
1,1-Zoll Kalottentreiber
- | Tiefmitteltöner:  
5,5-Zoll Konustreiber
- | Tieftöner:  
6-Zoll interner Konustreiber
- | Empf. Verstärkerleistung:  
min. 20W
- | Max. Belastbarkeit:  
150W RMS
- | Übergangsfrequenzen  
70Hz und 2000Hz @ 12dB/Oct.
- | Anschlüsse  
Gold Note vergoldet, nickelfrei

## SCHLÜSSELMERKMALE

- | 6-Zoll Konus-Tieftöner
- | 2x 5,5-Zoll Konus-Tiefmitteltöner
- | 1,1-zoll Seidenkalotten-Hochtöner
- | 2x rückwärtige Bassreflexöffnungen in Aluminium

## ABMESSUNGEN UND GEWICHT

Abmessungen:  
230mm B x 1080mm H x 285mm T  
Ständer: 288mm B | 44mm H | 441mm T

Gewicht:  
Kg. 60 pro Paar  
Kg. 80 pro Paar - verpackt

# | MONTAGE DES STÄNDERS

## SCHRITT 1

Den Lautsprecher vorsichtig auf den Kopf stellen oder alternativ waagrecht auf einen Tisch legen, um den Ständer zu montieren. Dabei die Auflagefläche mit einem weichen Tuch abdecken, um Kratzer und andere Schäden am Gehäuse zu vermeiden. Zum Anheben des Lautsprechers kann die Bassreflexöffnung als Hebepunkt verwendet, aber Vorsicht gewähren, um eine Beschädigung der Treiber zu vermeiden.

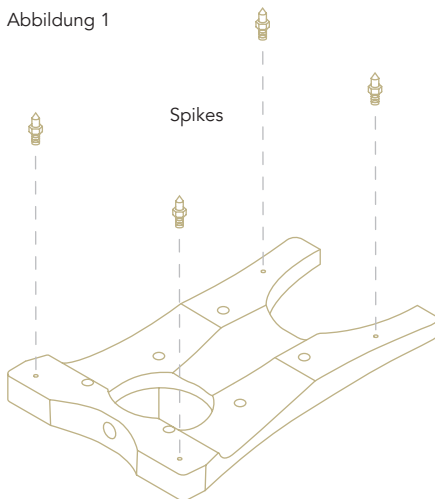
## SCHRITT 2

Die Spikes in die vier Löcher im Ständer einsetzen (siehe Abbildung 1) und fest anziehen, um sie zu fixieren.

## SCHRITT 3

Die M4x25er Schrauben in die sechs Löcher setzen und fest anziehen, um sie in der Basis zu fixieren.

Abbildung 1



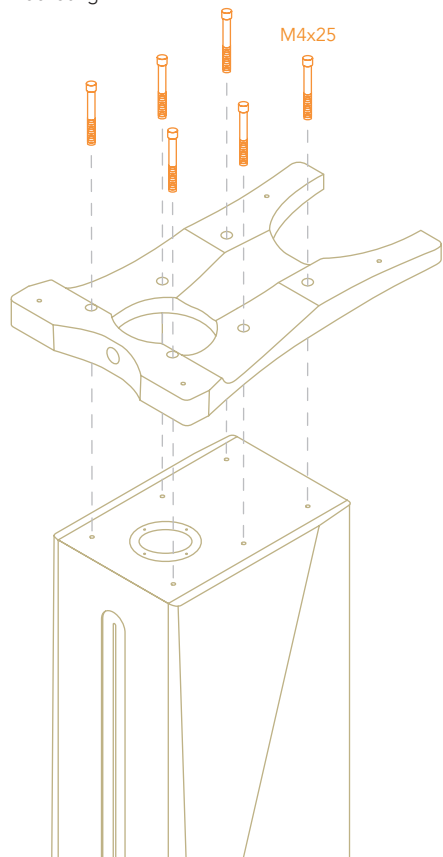
## SCHRITT 4

Den Lautsprecher umdrehen und den Ständer auf den Boden stellen, dabei die Spike-Unterlagen unter die Füße legen, damit der Untergrund nicht beschädigt wird.

## WICHTIGER HINWEIS

Bitte auf die Wahl der Schrauben achten, sodass bei jedem Schritt die richtige Art verwendet wird.

Abbildung 2



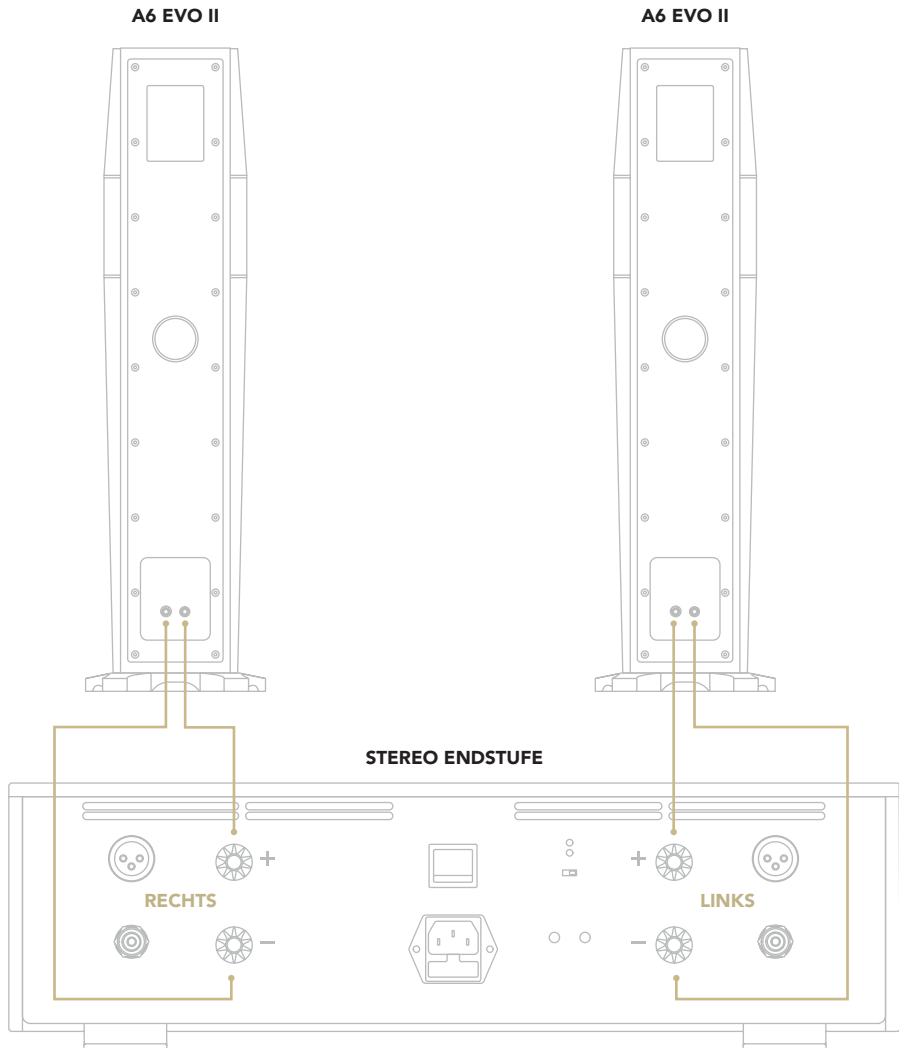
# ANSCHLUSS DER LAUTSPRECHER

EN

DE

IT

## BEISPIELVERBINDUNG



# PLATZIERUNG DER LAUTSPRECHER

Die Abmessungen Ihres Hörraums wirken sich nicht so sehr auf die Klangqualität aus wie die Position der Lautsprecher, daher empfehlen wir eine sorgfältige Platzierung. Je besser die Positionierung, desto besser werden der Fokus und die Klangbühne sein.

Die Berücksichtigung von reflektierenden Oberflächen ist ein Schlüsselfaktor, um das Beste aus Ihren Lautsprechern herauszuholen, vor allem, weil die Schallwellen genug Energie mit sich führen, um zweimal an Oberflächen abzuprallen, was die Klangleistung des Systems erheblich beeinträchtigt.

Je nach Größe des Raumes und der Materialien kann die erste Reflexion eine Verzögerung von 25m/s erzeugen, und somit zu Klangverfälschungen führen. Reflexionen, die Verzögerungen zwischen 40 und 80 m/s verursachen, sind weniger wichtig, da sie zur Schaffung des so genannten Ambientes beitragen. Daher ist es sehr wichtig, Reflexionen zu minimieren, die zu Verzögerungen von 25 m/s führen.

Wir empfehlen, die Lautsprecher so weit wie möglich von den Seitenwänden entfernt aufzustellen und die Bodenfläche vor den Lautsprechern nach Möglichkeit mit Teppichen abzudecken. Es kann sehr vorteilhaft sein, wenn die Lautsprecher in gleichem Abstand zu den Seitenwänden wie zu den Rückwänden aufgestellt werden (symmetrische Anordnung).

## WANDMATERIAL

Dicke Wände bieten eine gute Kontrolle über die Bassausdehnung sowie eine akustische Isolierung. Trockene und dünne Wände können schwingen, daher sind sie in der Regel zu vermeiden oder entsprechend zu behandeln.

## DECKEN

Hohe Decken bieten in der Regel bessere Ergebnisse, wobei eine konstante Höhe von 2,50 m bis 3,60 m ideal ist. Gewölbedecken können schwierig zu handhaben sein, da sie wie eine Vergrößerungslinse für bestimmte Frequenzen wirken.

Wenn die Decke nicht flach, sondern schräg ist, empfehlen wir, die Lautsprecher dort zu positionieren, wo die Decke niedriger ist, während der Hörplatz sich dort befinden sollte, wo die Decke höher ist.

## BÖDEN

Marmor- und Hartsteinböden sind aufgrund der von ihnen verursachten Reflexionen schwierig zu handhaben. Auch Teppichböden können sich als schwierig erweisen, da sie die Schallwellen absorbieren. Holzböden schneiden in den meisten Fällen gut ab.

In jedem Fall können Böden einfach mit einem 2-4 cm dicken Teppich ausgestattet werden, der vor den Lautsprechern ausgelegt wird.

## SEITENWÄNDE

Sie sollten nackte Seitenwände um das System herum ebenso vermeiden wie hängende Teppiche. Hängende Gegenstände, wie gerahmte Bilder und Gemälde, sind in der Regel problemlos, wenn sie keinen Glasschutz haben und symmetrisch auf beiden Seiten der Lautsprecher angebracht sind. Die Behandlung der Wände mit Schallabsorbieren und Diffusoren führt in der Regel zu den besten Ergebnissen.

## RÜCKWAND

Die Rückwand ist im Allgemeinen wie die Seitenwände zu behandeln, wobei Maßnahmen zur Erleichterung der Schallbeugung durch Schallabsorber oder Diffusoren (z. B. Bücherregale, Bücherschränke und Plattenregale) zu treffen sind.

## GEGENÜBERLIEGENDE WAND

Wenn Ihr Hörraum eher klein ausfällt und das System zu nahe an der gegenüberliegenden Wand steht, sollten Sie erwägen, die Wand mit dicken Vorhängen oder anderen Diffusoren auszustatten.

## FENSTER UND TÜREN

Fenster und Türen werden während der Musikwiedergabe höchstwahrscheinlich Vibrationen erzeugen. Im Bestfall sind Räume mit Fenstern, Türen und anderen Glasflächen in den Ecken oder in der Mitte der Seitenwände zu vermeiden. Wenn das nicht möglich ist, sollte eine

Behandlung vorgenommen werden, um übermäßige Reflexionen zu verhindern. Bei der Verwendung von Vorhängen empfiehlt es sich leichtere Materialien zu wählen, damit ein Teil der Schallwellen durch sie hindurchdringen und an der Oberfläche abprallen kann.

## MÖBEL

Vermeiden Sie Möbel mit vielen Glasflächen und/oder Türen und Schubladen. Offene Regalmöbel sind in der Regel recht gut geeignet. Vermeiden Sie nach Möglichkeit die Aufstellung von Regalen und ebenen Flächen zwischen den Lautsprechern und dem Hörplatz, da diese die hohen und mittleren Frequenzen stark reflektieren können.

## AUDIO RACKS

Audio Racks werden in hohem Maße durch ihr Design und das verwendete Material bestimmt, sodass es sich je nach diesen Faktoren empfiehlt, sie zwischen den Lautsprechern oder an der Seite des Systems zu platzieren. Das Gold Note Galileo Rack verfügt über ein spezielles gebogenes Design, welches die Schallwellen effektiv zu beugen weiß und kann daher zwischen den Lautsprechern platziert werden.

## SUBWOOFER

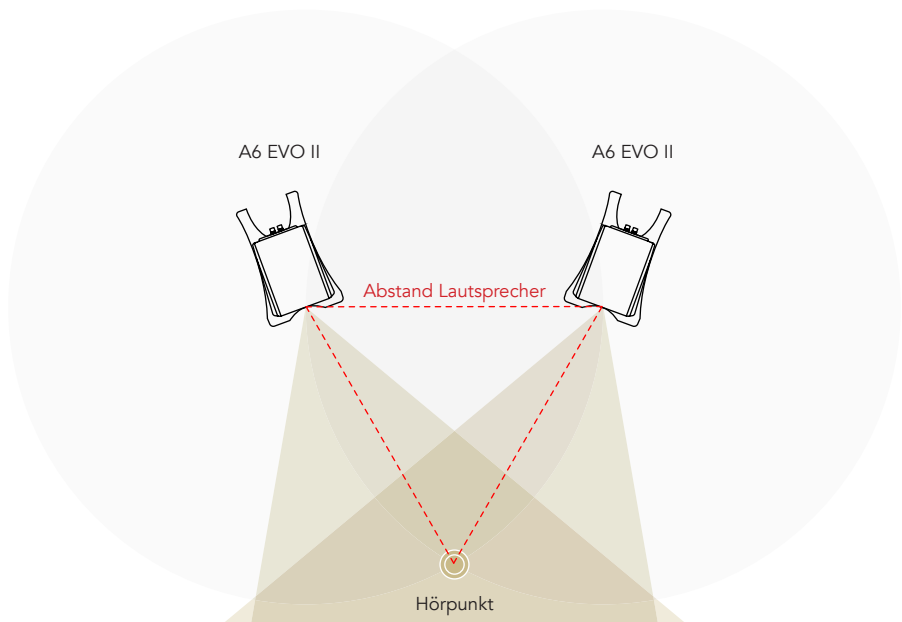
Subwoofer erzeugen Schallwellen, die sich ähnlich verhalten wie die von den Lautsprechern erzeugten Wellen, daher sollten sie unter Berücksichtigung der hier aufgeführten Grundsätze aufgestellt werden.

# | LOUDSPEAKERS SETUP

Versuchen Sie, wenn möglich, die hier aufgeführten Regeln bei der Erstaufstellung Ihrer Lautsprecher zu befolgen. Von hier aus können Sie dann Hörtests durchführen, um die Position jedes Lautsprechers fein abzustimmen und den Fokus und das vom Hörplatz wahrgenommene Klangbild zu verbessern.

Der Abstand zwischen den Lautsprechern und dem Hörplatz sollte ungefähr so groß sein wie in der Abbildung unten dargestellt. Gleichfalls sollte der Abstand zwischen den einzelnen Lautsprechern und der näheren Seitenwand ungefähr gleich groß sein wie der Abstand zwischen ihnen und der Rückwand.

Sollte dies nicht möglich sein, ist es von entscheidender Bedeutung, die Position und den Winkel der Lautsprecher so anzupassen, dass die bevorzugte Balance zwischen einer breiten Klangbühne und fokussierten, scharfen Details gefunden wird.



# | PRODUKTREGISTRIERUNG

EN

DE

IT

## PRODUKTREGISTRIERUNG

Bitte registrieren Sie das Produkt innerhalb von 15 Tagen nach dem Kauf über das zugehörige Formular auf unserer Webseite: [www.goldnote.it/product-registration](http://www.goldnote.it/product-registration)

Geräte, die nicht einwandfrei registriert oder in einem anderen Land als dem des Käufers erworben worden sind, fallen nicht unter die Gewährleistung und eine Registrierung wird verweigert.

Die Gewährleistung erstreckt sich in keinem Fall auf: Röhren, Tonabnehmer-Nadeln und Batterien.



[www.goldnote.it/product-registration](http://www.goldnote.it/product-registration)

## GEWÄHRLEISTUNG

Alle Gold Note Geräte verfügen über eine Gewährleistung bezüglich fehlerhafter Materialien und Verarbeitung. Für Reparaturen und Probleme jeglicher Art wenden Sie sich bitte an den Verkäufer, da jede Art von Wartung und Inspektion vom Gold Note Fachhändler oder Vertrieb ausgeführt werden muss.

## HINWEIS

Die Beschreibungen und technischen Angaben können sich jederzeit und ohne Vorankündigung ändern.

## WARNUNG

Gold Note Produkte sollten nur von zertifizierten Gold Note Technikern und Fachhändlern geöffnet, gewartet und inspiziert werden.

Von unqualifiziertem Personal ausgeführte Eingriffe können schwere Beschädigungen und Personalschäden bewirken.

Das Öffnen des Gerätes durch nicht autorisiertes Personal führt zum Erlöschen der Gewährleistung.

# | FEHLERBEHEBUNG

PROBLEM	URSACHE	LÖSUNG
Aus den Lautsprechern kommt ein brummendes Geräusch.	Die Lautsprecher sind nicht richtig geerdet.	Prüfen Sie, ob das System und der Rest des Raums richtig geerdet sind.
	Die Verbindungskabel für den Ein- und/oder Ausgang sind nicht abgeschirmt.	Verwenden Sie nur abgeschirmte Kabel.
Die Musikwiedergabe ist phasenverschoben.	Die Lautsprecheranschlüsse (negative/positive Pole) sind am Verstärker oder am Lautsprecher invertiert.	Schalten Sie den Verstärker vollständig aus, dann schließen Sie die Lautsprecherkabel richtig an.
Ein oder mehrere Treiber sind nicht funktionstüchtig.	Die Brücken sind nicht gut mit den Lautsprecheranschlüssen (Polklemmen) verbunden.	Prüfen Sie, ob die Brücken richtig verbunden sind.
	Die Lautsprecherkabel sind nicht gut mit dem Lautsprecher verbunden.	Versichern Sie sich, dass die Kabel gut verbunden sind.
	Der Verstärker oder die Quellen funktionieren nicht korrekt.	Prüfen Sie, ob alle Komponenten der Anlage funktionieren und korrekt verbunden sind.

## DIE EINHEIT SÄUBERN

Mit äußerster Vorsicht mit einem weichen, trockenen Tuch reinigen.  
 Jedes saure oder nicht extrem weiche Tuch kann die feine Ästhetik des Geräts irreversibel beeinträchtigen.  
 Verwenden Sie keinen Alkohol!



# | VERWANDTE PRODUKTE

EN

DE

IT

## ELEKTRONIKEN

### | IS-1000

Class-A/B Vollverstärker (125Watt @ 8Ω pro Kanal) und Streamer mit High-Current Mosfet Technologie. Verfügt über UPnP Streamer, BurrBrown PCM1796 Wandler und MM/MC Phono-Vorstufe.

## ENDSTUFE

### | PA-1175 MkII

Class-A/B Endstufe mit einstellbarem Dämpfungsfaktor für die perfekte Paarung mit allen Arten von Lautsprechern.



Entdecken Sie mehr auf unserer Website

[www.goldnote.it](http://www.goldnote.it)



*Grazie per aver acquistato una delle nostre  
unità e benvenuto nel mondo di Gold Note,  
dove trasformiamo l'audio e la musica High-  
End in un'esperienza completamente nuova.*

Maurizio Aterini,  
fondatore di Gold Note

A handwritten signature in black ink, appearing to read 'Maurizio Aterini', written in a cursive style.

# INFORMAZIONI IMPORTANTI SULLA SICUREZZA

## NOTA BENE

- 1 Non smontare il prodotto in nessuna parte.
- 2 Non utilizzare i componenti del prodotto per alcun motivo.
- 3 Per assistenza e problemi di ogni genere contatta solamente personale Gold Note qualificato.
- 4 Proteggi il prodotto da pioggia, umidità e tieni distanti le sorgenti di calore, elettriche, motori elettrici ecc. Il cavo di alimentazione in dotazione può essere usato solo su questa unità.
- 5 Gold Note non ha la responsabilità per ogni uso improprio di questa unità.

## INFORMAZIONI GENERALI

- | Leggi e conserva le istruzioni.
- | Presta attenzione a tutti gli avvertimenti.
- | Segui tutte le indicazioni.
- | Non utilizzare questa unità vicino all'acqua.
- | Pulisci l'unità solo con un panno asciutto.
- | Non bloccare le fessure di ventilazione ed esegui l'installazione seguendo le procedure indicate dal produttore.
- | Non installare vicino a fonti di calore come termosifoni, termoregolatori, stufe o altri apparecchi (inclusi gli amplificatori) che producono calore.
- | Una spina con messa a terra ha due lame e un terzo polo di messa a terra. La lama larga o il terzo polo sono forniti per la vostra sicurezza. Se la spina fornita non si

adatta alla presa, consultare un elettricista per la sostituzione della presa obsoleta.

- | Proteggere il cavo di alimentazione dall'essere calpestato o schiacciato in particolare in corrispondenza di spine, prese di corrente e nel punto in cui escono dall'apparecchio.
- | Utilizzare solo attacchi/accessori specificati dal produttore.
- | Utilizzare solo con carrello, supporto, treppiede, staffa o tavolo specificati dal produttore o venduti con l'apparato. Quando si utilizza un carrello, prestare attenzione quando si sposta la combinazione carrello/apparato per evitare lesioni da ribaltamento.
- | Scollega il prodotto dalla corrente durante i temporali o quando non viene utilizzato per lunghi periodi di tempo.
- | Rivolgerti a personale qualificato ed autorizzato da Gold Note per qualsiasi intervento.
- | La manutenzione è necessaria quando l'apparato è stato danneggiato in qualsiasi modo (ad esempio quando il cavo di alimentazione o la spina sono danneggiati, è stato versato del liquido o sono caduti oggetti nell'apparecchio, l'unità è stata esposta a pioggia o umidità) e comunque quando l'apparecchio non funziona normalmente o è caduto.

Questo apparecchio è identificato da un numero di serie esclusivo posto sul retro.  
Si prega di registrare qui il numero di serie e conservare questo documento.

**MODELLO**

**NUMERO DI SERIE**



### ATTENZIONE!

Non rimuovere parti o aprire l'apparecchio per evitare il rischio di scosse elettriche. In caso di necessità rivolgersi esclusivamente a personale qualificato.

### ATTENZIONE!

Pericolo di incendio e scosse elettriche: tenere al riparo da umidità, acqua e altri agenti atmosferici.



### **GOLD NOTE - Informazioni sulla corretta gestione dei Rifiuti da Apparecchiature Elettriche ed Elettroniche (RAEE) domestiche ai sensi della Direttiva Europea 2012/19/EU**

Il simbolo del cassonetto barrato riportato sull'apparecchiatura o sulla sua confezione indica che il prodotto alla fine della propria vita utile deve essere raccolto separatamente dagli altri rifiuti per permetterne un adeguato trattamento e riciclo. L'utente dovrà, pertanto, conferire gratuitamente l'apparecchiatura giunta a fine vita ai punti disponibili per la raccolta differenziata dei rifiuti elettrici ed elettronici – RAEE - oppure riconsegnarla al rivenditore secondo le modalità previste.

L'adeguata raccolta differenziata dell'apparecchiatura dismessa permette una gestione del rifiuto ambientalmente compatibile, quindi contribuisce ad evitare possibili dispersioni di sostanze pericolose, effetti negativi sull'ambiente e sulla salute, favorendo il reimpiego e/o riciclo dei materiali di cui è composta l'apparecchiatura. Lo smaltimento abusivo del prodotto da parte dell'utente comporta l'applicazione delle sanzioni previste dalla corrente normativa di legge. Vi preghiamo di verificare la normativa vigente e le misure adottate dal servizio pubblico operante nel vostro Paese o territorio.



# | INDICE

INTRODUZIONE E DESCRIZIONE	33
SPECIFICHE TECNICHE	34
MONTAGGIO DEL PIEDISTALLO	35
CONNESSIONE DEI DIFFUSORI	36
POSIZIONAMENTO DEI DIFFUSORI	37
PUNTO DI ASCOLTO	39
REGISTRAZIONE PRODOTTO	40
RISOLUZIONE PROBLEMI	41
PRODOTTI CORRELATI	42

EN

DE

IT

# | CONTENUTO DELLA CONFEZIONE

**2x**

A6 EVO II

**2x**

GRIGLIE PROTETTIVE

**1x**

MANUALE  
UTENTE

**1x**

CHIAVE A  
BRUGOLA

**12x**

VITE  
M4x25mm  
con rondelle

**8x**

PIEDINI

**8x**

SOTTO  
PUNTA

# | INTRODUZIONE E DESCRIZIONE

Gli A6 EVO II sono diffusori a tre vie con design bass reflex caratterizzati da un subwoofer interno da 6", due altoparlanti mid-woofer da 5.5" e tweeter a cupola in seta da 1.1". Questi diffusori da pavimento sono sviluppati per riprodurre il massimo livello di dettaglio e dinamica preservando la naturalezza dell'evento musicale. L'estetica unica li rende immediatamente riconoscibili e di grande eleganza grazie al design a diamante che si sposa perfettamente con le finiture di pregio.

Dal telaio e i pannelli in legno fino agli altoparlanti, questi diffusori sono interamente prodotti in Italia grazie alle maestranze dei nostri artigiani per offrire la migliore qualità in termini di suono, design e materiali.

Il crossover è stato sviluppato con componenti audio di fascia premium per esaltare le proprietà uniche degli altoparlanti e fornire risposte eccezionalmente potenti sull'intero spettro delle frequenze, ottenendo una resa sonora dalla grande naturalezza grazie alle frequenze di taglio a 2000Hz/70Hz (12dB/ottava).

Gli altoparlanti sono fissati su supporti realizzati in una speciale lega di alluminio per incrementare la rigidità del telaio, la stessa lega di alluminio è utilizzata per il condotto bass reflex posteriore.

Il subwoofer interno si trova in una camera sigillata posta nella sezione inferiore del mobile, qui si trova anche il condotto di accordo con porta situata sulla base del mobile e sfruttato per controllare la riproduzione delle frequenze nel range dei 40Hz. Il tweeter a cupola in seta assicura alte frequenze cristalline e una risposta precisissima.

Il mobile è realizzato in HDF temperato e rinforzato ulteriormente dai bellissimi pannelli laterali dal design esclusivo a diamante, contribuendo a rendere l'architettura del sistema ancora più rigida. Sia per il mobile che per i pannelli laterali sono state scelte finiture lussuose e rappresentative del migliore artigianato italiano.

Gli A6 EVO II combinano così eleganza, performance e piacere d'ascolto in un modo del tutto nuovo per soddisfare perfino gli audiofili più esigenti.



# | SPECIFICHE TECNICHE

EN

DE

IT

## CARATTERISTICHE PRINCIPALI

- | Diffusore a tre vie con porte bass reflex
- | Risposta in Frequenza:  
40-20000Hz  $\pm$ 3dB
- | Sensibilità:  
88dB SPL 2,83V/1m
- | Impedenza nominale:  
4 $\Omega$
- | Tweeter:  
1.1" a cupola in seta
- | Mid-woofer:  
Cono da 5,5"
- | Sub-woofer:  
Cono interno da 6"
- | Alimentazione suggerita:  
min. 20W
- | Max potenza applicata:  
150W RMS
- | Crossover:  
70Hz e 2000Hz @ 12dB/Oct.
- | Connettori:  
Gold Note dorati nickel-free

## SPECIFICHE CHIAVE

- | Sub-woofer con cono da 6"
- | 2x mid-woofer con cono da 5.5"
- | Tweeter a cupola in seta da 1.1"
- | 2x porte bass reflex in alluminio

## DIMENSIONI E PESO

Dimensioni:  
230mm L x 1080mm A x 285mm P  
Stand: 288mm L | 44mm A | 441mm P

Peso:  
Kg. 60 (a coppia)  
Kg. 80 (a coppia) - imballato

# ASSEMBLAGGIO DEL PIEDISTALLO

## FASE 1

Capovolgere il mobile del diffusore o disporlo su di una superficie orizzontale di lavoro avendo cura di interporre uno strato di materiale morbido per proteggerne le finiture. È possibile utilizzare la porta del condotto di accordo posteriore come punto di sollevamento prestando attenzione a non danneggiare gli altoparlanti ed i connettori.

## FASE 2

Avvitare i piedini utilizzando i quattro fori della base come mostrato nella figura in basso, assicurandosi che siano ben fissati.

## FASE 3

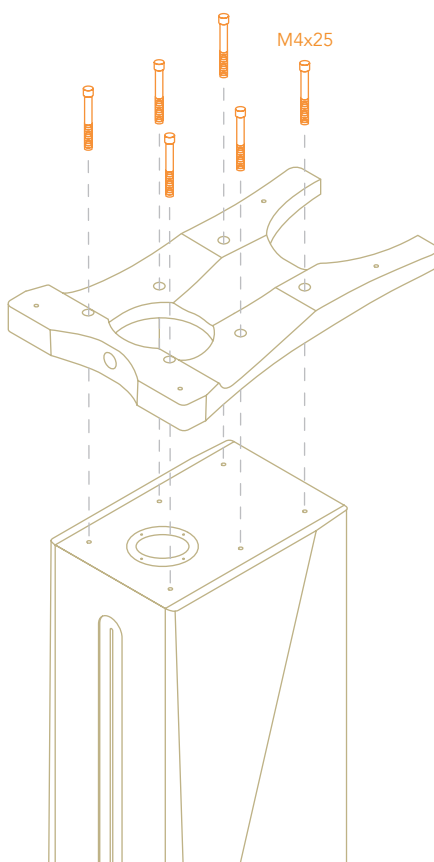
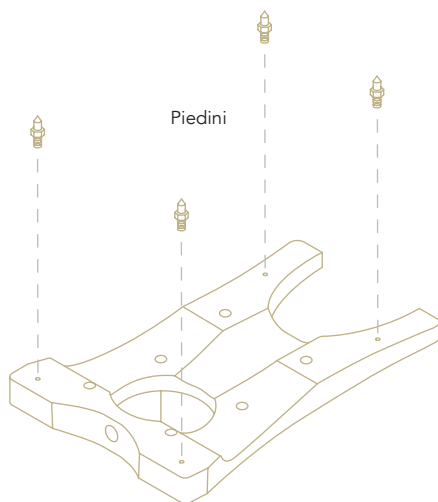
Inserire le viti M4x25 nei sei fori della base e procedere ad avvitarle saldamente.

## FASE 4

Capovolgere il diffusore così che i piedini appoggino a terra, utilizzando i sottopunta per prevenire danni al pavimento.

## ATTENZIONE

Assicurarsi di utilizzare le viti corrette ad ogni fase del processo di assemblaggio.



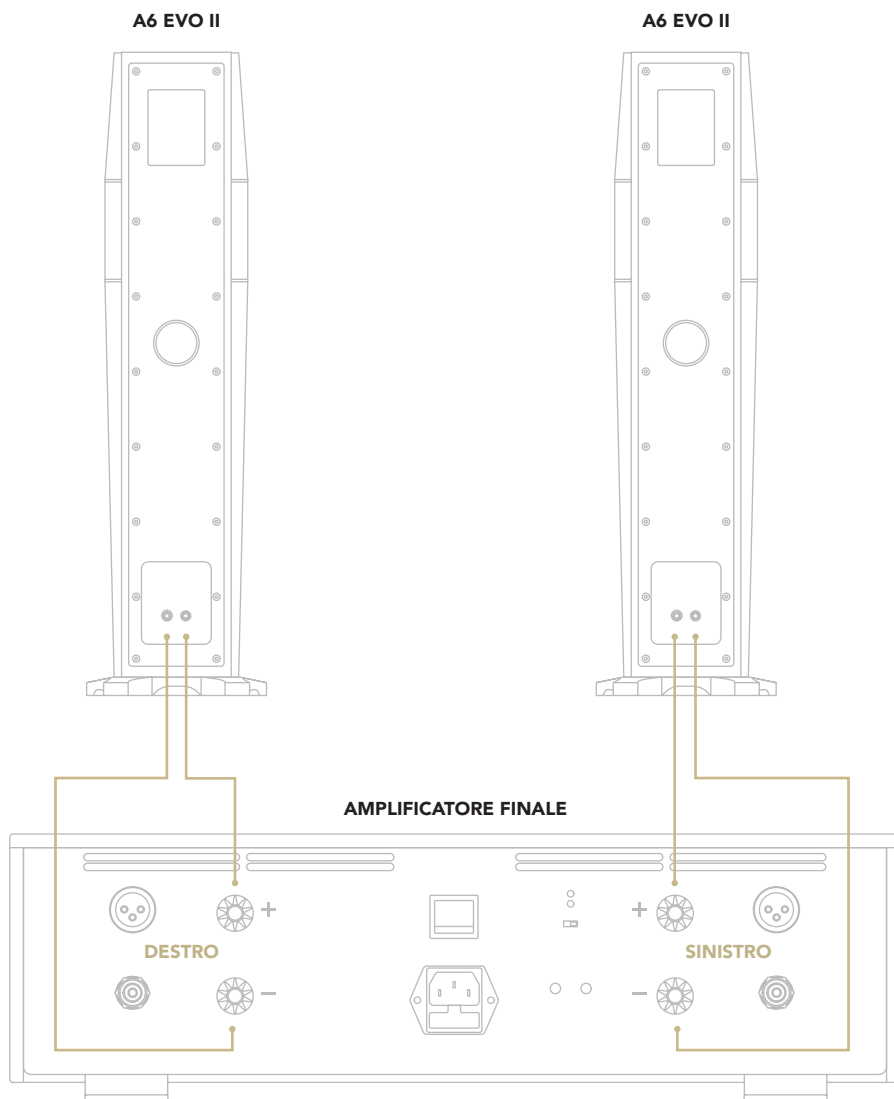
# | CONNESSIONE DEI DIFFUSORI

EN

DE

IT

## ESEMPIO DI CONNESSIONE



# POSIZIONAMENTO DEI DIFFUSORI

Le dimensioni della stanza di ascolto influiscono meno sulla qualità audio rispetto al corretto posizionamento dei diffusori quindi consigliamo di posizzarli con cura. La gestione delle superfici riflettenti è cruciale per ottenere il risultato migliore perché le onde sonore tendono ad essere riflesse dalle superfici circostanti, tale riflessione influenza notevolmente le prestazioni sonore del sistema.

## MATERIALI DELLE PARETI

Le pareti spesse offrono di solito un buon controllo sull'estensione dei bassi e sull'isolamento acustico. Le pareti sottili invece possono dare luogo a vibrazioni e devono quindi essere trattate di conseguenza.

## SOFFITTO

I soffitti alti tendono a offrire risultati migliori, specialmente se l'altezza è costante e tra i 2,5m e i 3,6m. I soffitti a volta possono essere difficili da gestire, amplificando alcune frequenze. In caso il soffitto non sia inclinato, si consiglia di posizionare i diffusori dove l'altezza è minore e il punto di ascolto sul lato opposto.

## PAVIMENTO

Pavimenti in marmo e pietra dura sono difficili da gestire a causa della riflessione, mentre i pavimenti in moquette possono rivelarsi problematici a causa dell'assorbimento delle onde sonore. I pavimenti in legno offrono il migliore compromesso nella parte dei casi. Per trattare il pavimento, si consiglia di porre un tappeto spesso circa 2/4cm davanti ai diffusori.

## PARETI LATERALI

Pareti completamente spoglie o interamente coperte da tessuto sono generalmente da evitare. Oggetti appesi, quali quadri, possono dare ottimi risultati acustici specie se privi di protezioni in vetro e se posizionati simmetricamente su entrambi i lati del sistema. L'utilizzo di pannelli diffusori è indicato per raggiungere i migliori risultati.

A seconda delle dimensioni e conformazione della stanza, la prima riflessione delle onde sonore può creare un ritardo di 25m/s dall'effetto negativo. I riflessi che creano ritardi tra 40 e 80m/s contribuiscono a creare la cosiddetta ambience. Pertanto è molto importante mitigare i riflessi che provocano ritardi dell'ordine di 25m/s. Assicurarsi che i diffusori siano disposti alla stessa distanza dalle pareti laterali e quella posteriore (disposizione simmetrica) può essere molto vantaggioso.

## PARETE POSTERIORE

La parete posteriore può essere trattata come le pareti laterali, adottando accorgimenti per favorire la diffrazione del suono mediante pannelli diffusori o mobili quali librerie, librerie e portadischi.

## PARETE OPPOSTA

Se la stanza è di dimensioni contenute e/o il sistema è vicino alla parete opposta, è consigliabile trattare la parete con tende spesse o pannelli diffusori e assorbenti.

## PORTE E FINESTRE

Finestre e porte possono produrre vibrazioni durante la riproduzione perciò meglio evitare stanze con finestre, porte e altre superfici in vetro situate negli angoli o al centro delle pareti. Se ciò non è possibile, è necessario applicare un trattamento. Se si utilizzano tende, si consiglia di optare per materiali mediamente leggeri per evitare un eccessivo assorbimento delle onde sonore.

## ARREDAMENTO

Evitare mobili con grandi quantità di vetro e/o ante e cassetti mentre i mobili a scaffale aperto tendono a produrre buoni risultati. Se possibile, evitare di posizionare rack e superfici piate tra i diffusori e il punto di ascolto poiché potrebbero riflettere le frequenze alte e medie.

## RACK

I rack sono influenzati dal design e dal materiale utilizzato, a seconda di questi fattori devono essere posizionati tra i diffusori o a lato dell'impianto. Il rack Gold Note Galileo presenta uno speciale design per diffrangere efficacemente le onde sonore e può quindi essere posizionato tra i diffusori.

## SUBWOOFER

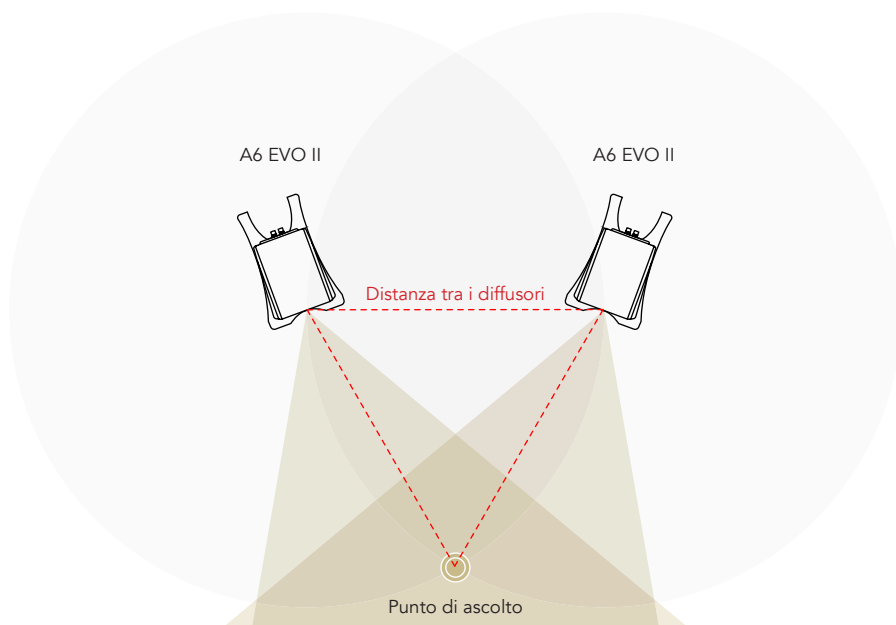
I subwoofer generano onde sonore dal comportamento simile alle onde create dai diffusori e dovrebbero essere posizionati secondo i principi qui elencati.

# | PUNTO DI ASCOLTO

Ogni stanza presenta caratteristiche uniche ed è perciò necessario eseguire test di ascolto per aggiustare il posizionamento dei diffusori e migliorare la messa a fuoco e la resa del palcoscenico dal punto di ascolto.

È consigliabile iniziare posizionando il sistema in modo che la distanza tra i diffusori e il punto di ascolto sia simile. Se possibile, la distanza tra un diffusore e la parete vicina dovrebbe essere uguale alla distanza tra i due diffusori.

È fondamentale poi regolare l'angolo dei diffusori rispetto al punto di ascolto fino a raggiungere l'equilibrio desiderato tra ampiezza del palcoscenico e livello di dettaglio.



# | REGISTRAZIONE PRODOTTO

EN

DE

IT

## REGISTRAZIONE PRODOTTO

Si prega di registrare il prodotto tramite l'apposito form sul nostro sito entro e non oltre 15 giorni dall'acquisto:

[www.goldnote.it/registrazione-prodotto](http://www.goldnote.it/registrazione-prodotto)

In caso il prodotto non venga registrato correttamente tramite l'apposito form o sia stato acquistato in un paese diverso da quello di residenza del possessore, la garanzia sarà automaticamente invalidata e la registrazione del prodotto rifiutata.

La garanzia non copre in nessun caso le seguenti parti: valvole, puntina stilo delle testine fonografiche e batterie.



[www.goldnote.it/registrazione-prodotto](http://www.goldnote.it/registrazione-prodotto)

## GARANZIA

Tutti i prodotti Gold Note sono coperti da garanzia in caso di malfunzionamento o difetti di produzione.

Le operazioni di assistenza su prodotti in garanzia devono essere condotte da rivenditori e tecnici qualificati Gold Note, in caso di problemi si prega pertanto di rivolgersi al proprio rivenditore.

## NOTA BENE

Le descrizioni, immagini e caratteristiche tecniche qui descritte possono variare in ogni momento senza preavviso.

## ATTENZIONE

I prodotti Gold Note devono essere ispezionati, controllati e disassemblati solo da tecnici e rivenditori qualificati. In caso di intervento eseguito da personale non autorizzato, la garanzia sarà ritenuta invalidata.

In questo caso, contattare il proprio rivenditore per essere informato su come risolvere il problema.

# | RISOLUZIONE PROBLEMI

PROBLEMA	CAUSA	SOLUZIONE
Uno o entrambi i diffusori emettono un ronzio.	C'è un problema di messa a terra.	Controllare la messa a terra dell'impianto.
	I cavi di interconnessione in entrata/uscita non sono schermati.	Utilizzare sempre cavi schermati.
La musica è fuori fase.	I terminali dei diffusori (poli negativo/positivo) sono invertiti sull'amplificatore o sul diffusore.	Spegni l'amplificatore e successivamente cabla correttamente i terminali del diffusore.
Uno o più con i non funzionano.	I ponti non sono connessi bene ai terminali del diffusore (binding posts).	Controlla che i terminali siano connessi correttamente.
	I cavi speaker non sono connessi bene al diffusore.	Controlla che i cavi speaker siano connessi correttamente.
	L'amplificatore o le sorgenti non funzionano bene.	Controlla che tutti i componenti dell'impianto funzionino e siano connessi correttamente.

## PULIZIA DELL'UNITÀ

Usare solo acqua o detersivi per superfici delicate con un panno morbido per rimuovere polvere e/o macchie. Qualsiasi acido o panno non estremamente morbido danneggerebbe irreversibilmente l'estetica dell'unità. Non usare alcol.



# | PRODOTTI CORRELATI

EN

DE

IT

## ELETRONICHE

### | IS-1000

Amplificatore integrato in Classe A/B con streamer capace di 125Watt @ 8Ω per canale con tecnologia High-Current Mosfet. Equipaggiato con streamer UPnP, convertitore digitale-analogico BurrBrown PCM1796, stadio phono MM/MC.

## AMPLIFICATORE FINALE

### | PA-10

Il PA-10 è il nuovo amplificatore finale per la piccola, ma non meno efficiente, linea di prodotti chiamata Linea 10.



Scopri di più sul nostro sito

[www.goldnote.it](http://www.goldnote.it)







Designed and handmade in Firenze, Italy  
**[www.goldnote.it](http://www.goldnote.it)**  
copyright ©2023 Akamai S.r.l. All rights reserved